

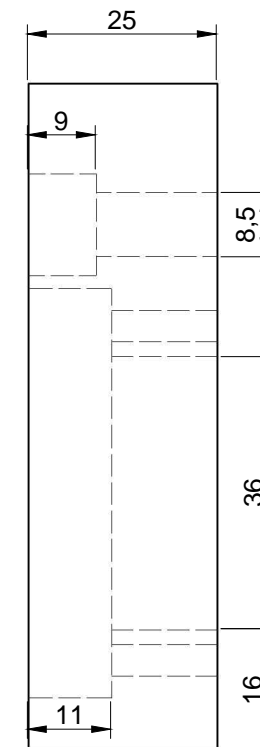
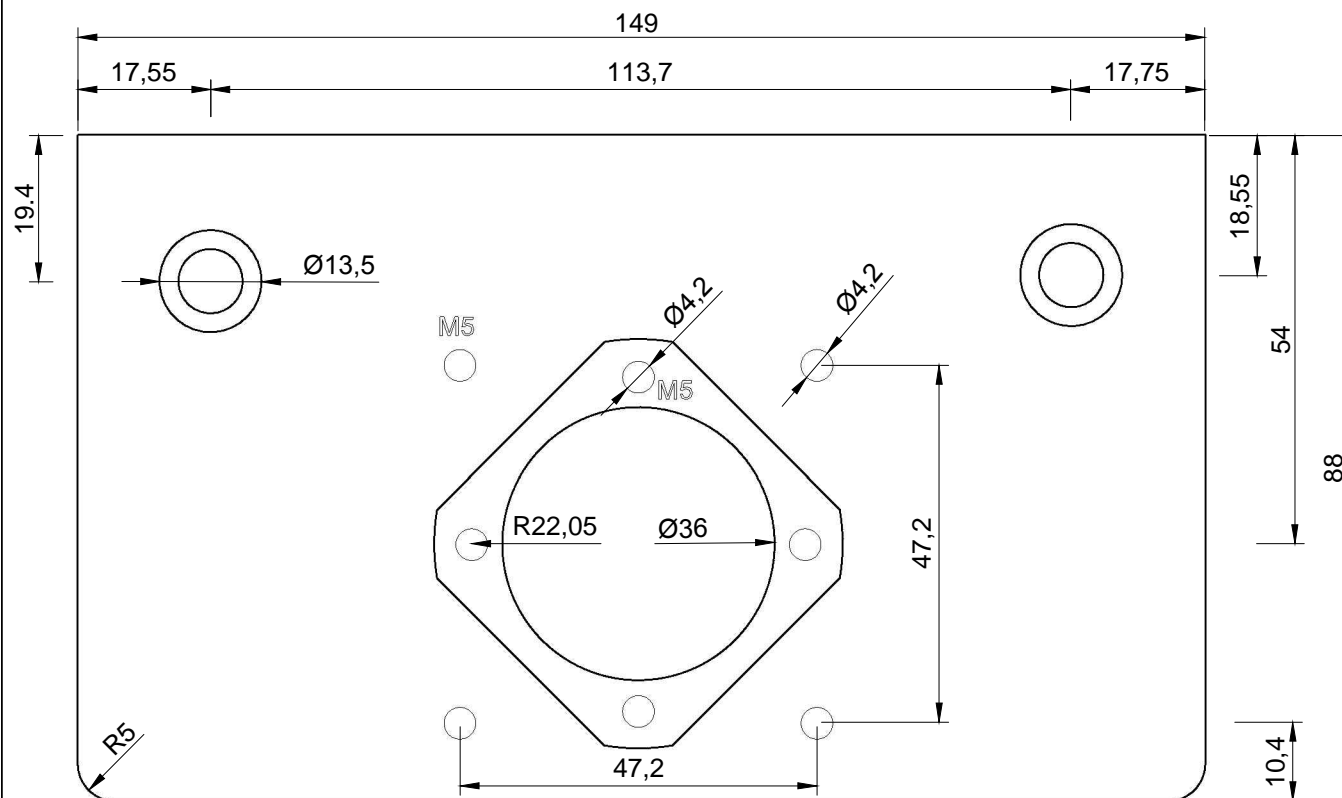
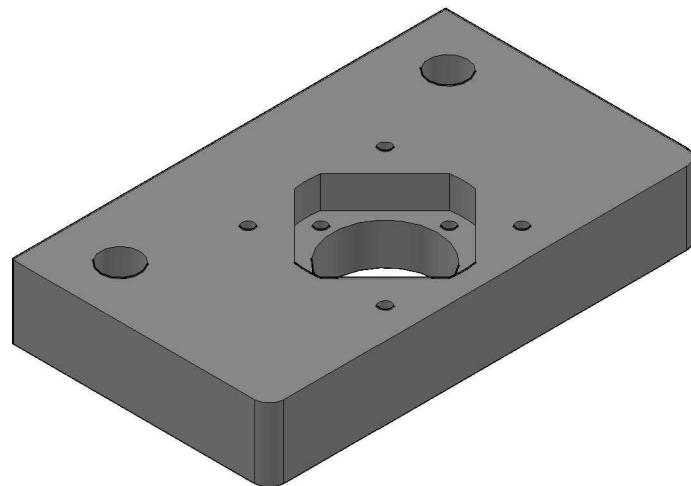


NORTH POINT

Contractors must check all dimensions on site. Only figured dimensions to be used. Discrepancies must be reported immediately.  
© This drawing is copyright.

NOTES:

All dimensions in MM



REVISIONS:

Issue	Date	Subject

Project:

Emco Mill

Title:

R/H/S Table  
bracket

Scale: 1:1@A4

Drawn: RHJ

Date: Dec 2014

Checked: \*\*

Drwg. No. EM02

Issue