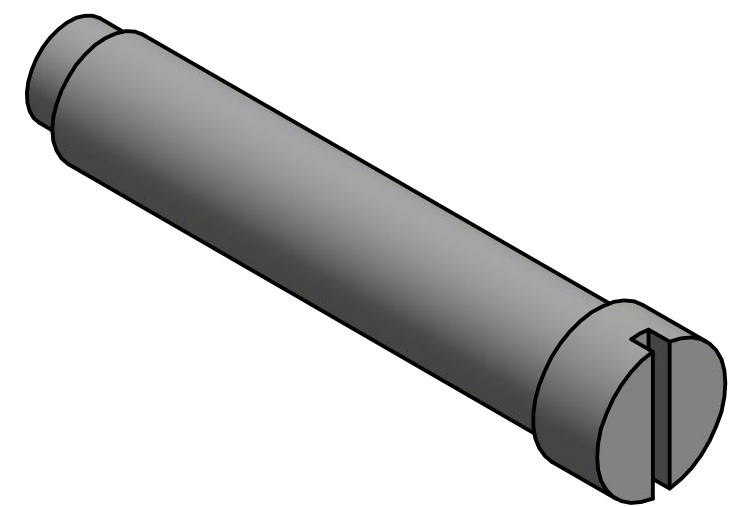


Camlock 1  
 Machining Brass  
 (all tolerances 0.1mm / remove sharp edges)  
 (rotary orientation of cam and screw slot are non-critical)



Date		Name	
Drawn	12/06/2018	Alan Ambrose	
Checked			
Standard			
Camlock 1			1
			A2
State	Changes	Date	Name